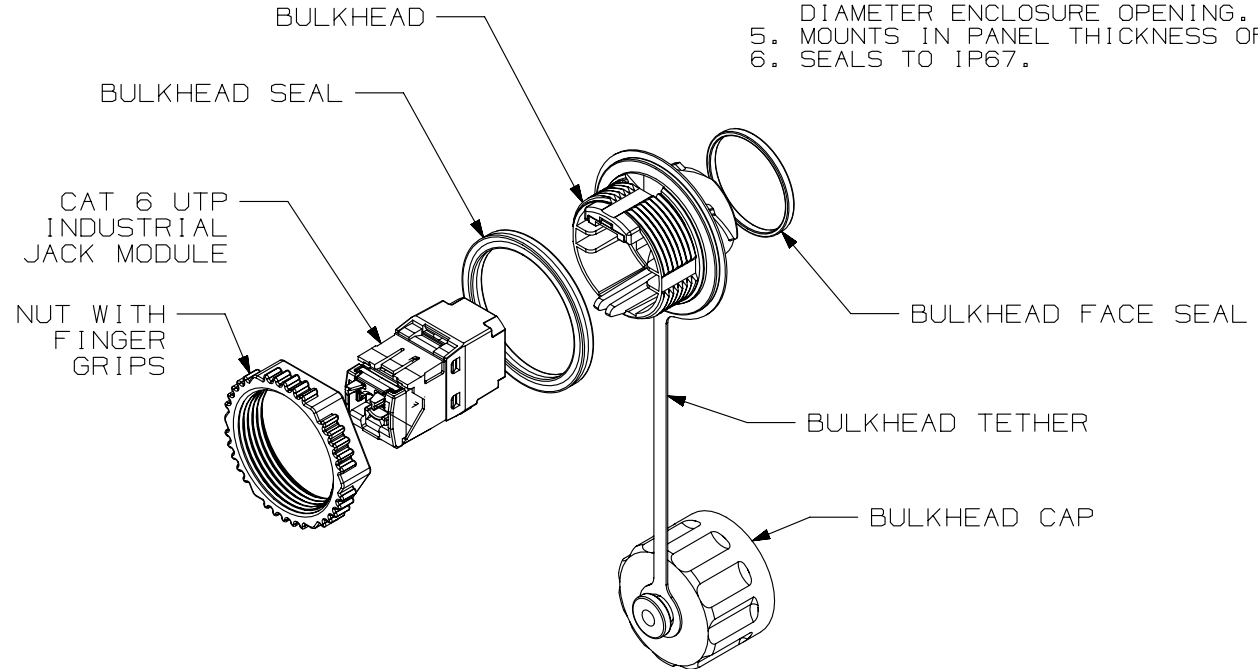
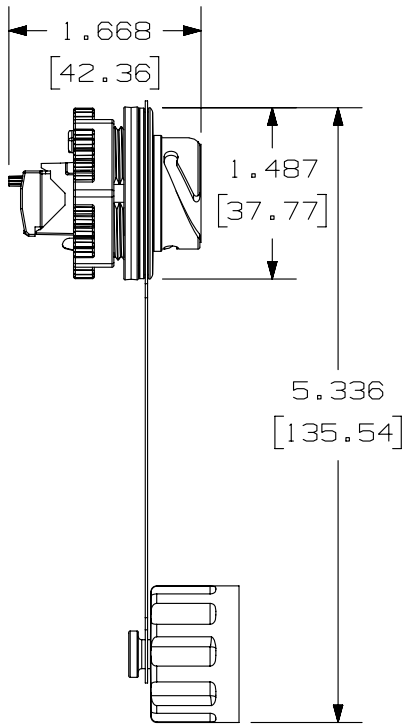


THIS COPY IS PROVIDED ON A RESTRICTED BASIS AND IS NOT TO BE USED IN ANY WAY DETRIMENTAL TO THE INTERESTS OF PANDUIT CORP.



- NOTES:
1. SEE CURRENT CATALOG FOR ADDITIONAL P/N SUFFIXES TO INDICATE PACKAGE QUANTITY.
  2. ALL MINI-JACK 8 POSITION, 8 WIRE CONNECTOR MODULES ARE UNIVERSAL IN DESIGN. THEY WILL ACCEPT TWO, THREE, OR FOUR PAIR MODULAR PLUGS WITHOUT DAMAGE.
  3. DIMENSIONS IN PARENTHESSES ARE METRIC.
  4. MOUNTS IN COMMON NEMA 1-13/64" (30.5mm) DIAMETER ENCLOSURE OPENING.
  5. MOUNTS IN PANEL THICKNESS OF .035-.135"
  6. SEALS TO IP67.

PART NUMBER		1 AEBH6	
TITLE			
INDUSTRIAL TX6 CONNECTOR JACK MODULE WITH BULKHEAD CUSTOMER DRAWING			
ITEM REVISION NAME		M01245AU/04	
DATASET FILE NAME		M01245AU_DC77/04B	
UNLESS OTHERWISE SPECIFIED, DIMENSIONAL TOLERANCES ARE: IN (mm)		MATERIAL:	
.x ± .xx ± .03 (.8)		.xxx ± .01 (.3) ANGLES ±	
DRAWN BY BJN		DATE 10-30-06	
CHK CEF		SCALE NONE	
DRAWING NUMBER: 01245-77		SHT 1 OF 1	
REV		DATE	
BY		CHK	
APR		DESCRIPTION	
ECN		SIZE A	

1	5-16-14	TA	REFR	REFR	REVISED TITLE BLOCK	01245-77
R	10-30-06	BJN	CEF	CEF	RELEASED TO PRODUCTION	01245-77

D10100DA/14

2

1

2

1