

LEFT WIRE OUTPUT

MATERIAL NUMBER	COLOR
0643191211	BLACK
0643191218	GREY
0643191219	BROWN
0643191216	BLUE

RIGHT WIRE OUTPUT

MATERIAL NUMBER	COLOR
0643193211	BLACK
0643193218	GREY
0643193219	BROWN
0643193216	BLUE

NOTES:

- 1-FOR ILLUSTRATION PURPOSE THE FEMALE HOUSING SHOWN IS THE RIGHT WIRE OUTPUT VERSION CODING 1
- 2-APPLICATION SPECIFICATION: AS-64319-002
- 3-WIRES EXTERNAL DIAMETER USED:
FOR CP0.6 TERMINAL: USE WIRES WITH AN EXTERNAL DIAMETER BETWEEN Ø1.25MM MIN AND Ø1.90MM MAX
FOR CP1.5 TERMINAL: USE WIRES WITH AN EXTERNAL DIAMETER BETWEEN Ø1.00MM MIN AND Ø2.80MM MAX
- 4-THE CONNECTOR FITS WITH WIRE CAP (32 WAY) MOLEX P/N 0643191201
- 5-BLIND PLUG FOR CP 0.6 AND 15 CAVITIES (MOLEX P/N 0643251010 AND 0643251023) MUST BE USED ON THIS PART.
- 6-DELIVERED PRODUCT WEIGHT: 27.6 g

POS.	DESIGNATION	MATERIAL	COLOR
17	MAT SEAL	Silicon	RED
4	BACK GRID 32W	>PBT-GF20<	GREY
8	LOCKING LEVER 32W	>PBT-GF30<	BLACK
4	SECONDARY LOCK	>PBT-GF20<	GREEN
3	PERIPHERAL SEAL 32W	Silicon	BLUE
2	BACK PART	>PBT-GF20<	BLACK
1	FRONT PART	>PBT-GF20<	COLOR LINKED TO KEYS

MARKINGS:

- Δ - Assembled part traceability:
Year + Day
- Δ - Terminal cavities identification
- Δ - Lever position indicator:
"D" LETTER VISIBLE = "RIGHT WIRE OUTPUT"
"G" LETTER VISIBLE = "LEFT WIRE OUTPUT"
- Δ - Supplier identification
- Δ - Material identification

APPL. SPEC. CHANGED
EC NO: G2016-0064
DRAWINGLESS
CHKD:POURBIN
APPR:BOUCHAN

2015/11/30
2015/12/01
2015/12/01
2015/12/02

QUALITY SYMBOLS	DESCRIPTION
▽	DRIFT
▽	DRIFT
▽	DRIFT

GENERAL TOLERANCES (UNLESS SPECIFIED)	
m	mm
I	INCH
4 PLACES	± 0.2
3 PLACES	± 0.1
2 PLACES	± 0.1
1 PLACE	± 0.1
0 PLACE	± 0.1

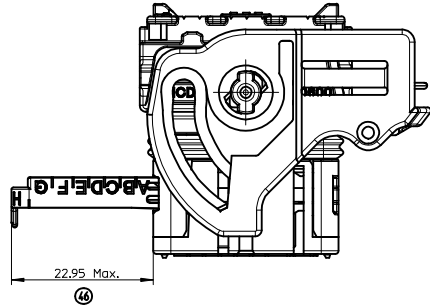
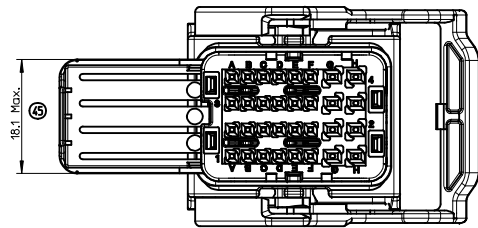
GENERAL TOLERANCES (UNLESS SPECIFIED)	DIMENSION STYLE	SCALE	DESIGN UNITS	FIRST ANGLE PROJECTION
MM ONLY	MM ONLY	2.5:1	METRIC	FIRST ANGLE PROJECTION
TITLE				
CMC CONNECTOR 32 WAY				
MAT SEAL VERSION				
DRAWN BY: T. BADAROUX 2007/07/16				
CHECKED BY: P. GRANDCLAUD 2007/07/16				
APPROVED BY: C. BOUCHAN 2007/07/16				
MATERIAL NO. SD-64319-001				
DOCUMENT NO. SD-64319-001				
SHEET NO. 1 OF 2				

SEE CHARTS

THIS DRAWING CONTAINS INFORMATION THAT IS PROPRIETARY TO MOLEX INCORPORATED AND SHOULD NOT BE USED WITHOUT WRITTEN PERMISSION

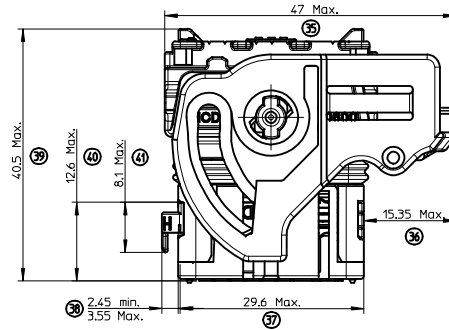
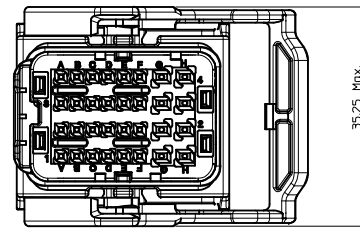
CONNECTOR OVERALL DIMENSIONS:
SECONDARY LOCKING FULLY OPENED
FOR TERMINALS INSERTION

RIGHT WIRE OUTPUT



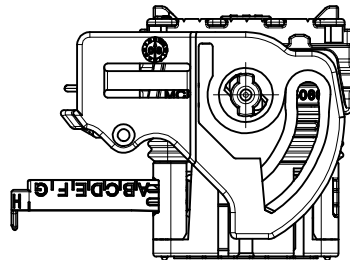
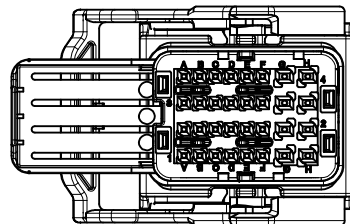
CONNECTOR OVERALL DIMENSIONS:
SECONDARY LOCKING IN DELIVERY
POSITION

RIGHT WIRE OUTPUT



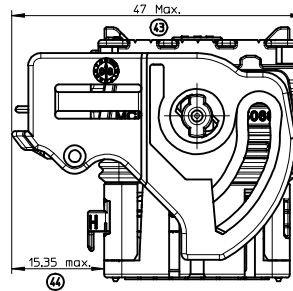
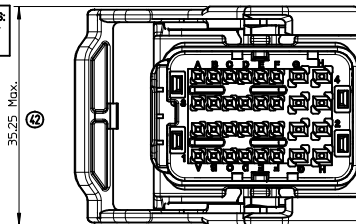
CONNECTOR OVERALL DIMENSIONS:
SECONDARY LOCKING FULLY OPENED
FOR TERMINALS INSERTION

LEFT WIRE OUTPUT

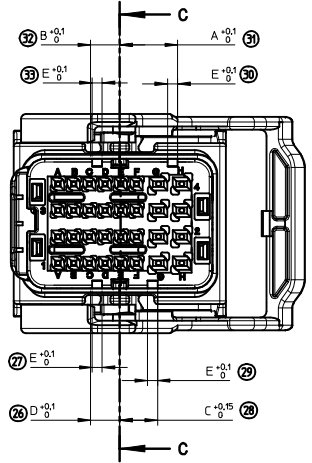


CONNECTOR OVERALL DIMENSIONS:
SECONDARY LOCKING IN DELIVERY
POSITION

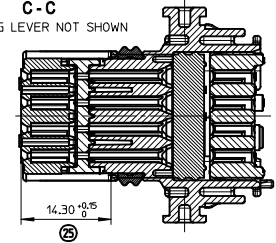
LEFT WIRE OUTPUT



CODING POSITION



C - C
LOCKING LEVER NOT SHOWN



COLOR	CODING	A	B	C	D	E
BLACK	1	9.2	4.4	6	4.4	1.6
GREY	2	7.6	6	9.2	6	1.6
BROWN	3	6	7.6	9.2	9.2	1.6
BLUE	5	4.4	7.6	6	6	1.6

TERMINALS USED

CAVITY N°	FEMALE TERMINALS (Section mm2)	PLATING	MOLEX PIN#	min / MAX WIRE INSULATION DIAMETER (mm)
A1 to F1 A2 to F2 A3 to F3 A4 to F4	CP 0,6 0,35mm2	Tin plated Gold plated	0643221019 0643221229	Ø1,25 min / Ø1,40 Max
	CP 0,6 0,5mm2	Tin plated Gold plated	0643221039 0643221239	Ø1,40 min / Ø1,70 Max
	CP 0,6 0,75mm2	Tin plated Gold plated	0643221029 0643221219	Ø1,60 min / Ø1,90 Max
	CP 1,5 0,5mm2 to 1mm2	Tin plated Gold plated	0643231029 0643231319	Ø1,40 min / Ø2,15 Max
G1 to H4 G1 to H4	CP 1,5 >1mm2 to 2mm2	Tin plated Gold plated	0643231039 0643231219	Ø2,10 min / Ø2,80 Max

APPL. SPEC. CHANGED
EC NO: G2016-0064
DRAWN BY: G2016-0064
CHECKED BY: G2016-0064
APPROVED BY: G2016-0064

QUALITY SYMBOLS
DESCRIPTION

GENERAL TOLERANCES
(UNLESS SPECIFIED)

	mm	INCH
4 PLACES	± 0.1	± 0.004
3 PLACES	± 0.15	± 0.006
2 PLACES	± 0.2	± 0.008
1 PLACE	± 0.3	± 0.012
0 PLACE	± 0.4	± 0.016

ANGULAR ± 2°
DRAFT WHERE APPLICABLE
MUST REMAIN WITHIN DIMENSIONS

DIMENSION STYLE
MM ONLY

DRAWN BY: T. BADAROUX
DATE: 2007/07/16

CHECKED BY: P. GRANDCLAUD
DATE: 2007/07/16

APPROVED BY: C. BOUCHAN
DATE: 2007/07/16

MATERIAL NO.

SEE SHEET 1

SCALE: 2.5:1

DESIGN UNITS: METRIC

FIRST ANGLE PROJECTION

TITLE: CMC CONNECTOR 32 WAY MAT SEAL VERSION

DOCUMENT NO.: SD-64319-001

SHEET NO.: 2 OF 2

THIS DRAWING CONTAINS INFORMATION THAT IS PROPRIETARY TO MOLEX INCORPORATED AND SHOULD NOT BE USED WITHOUT WRITTEN PERMISSION